

SCALE PALLET TRUCK

PKC6-7E / PKC6-8E



Heavy Duty



Efficient Workflow



Versatility



Your Best Solution

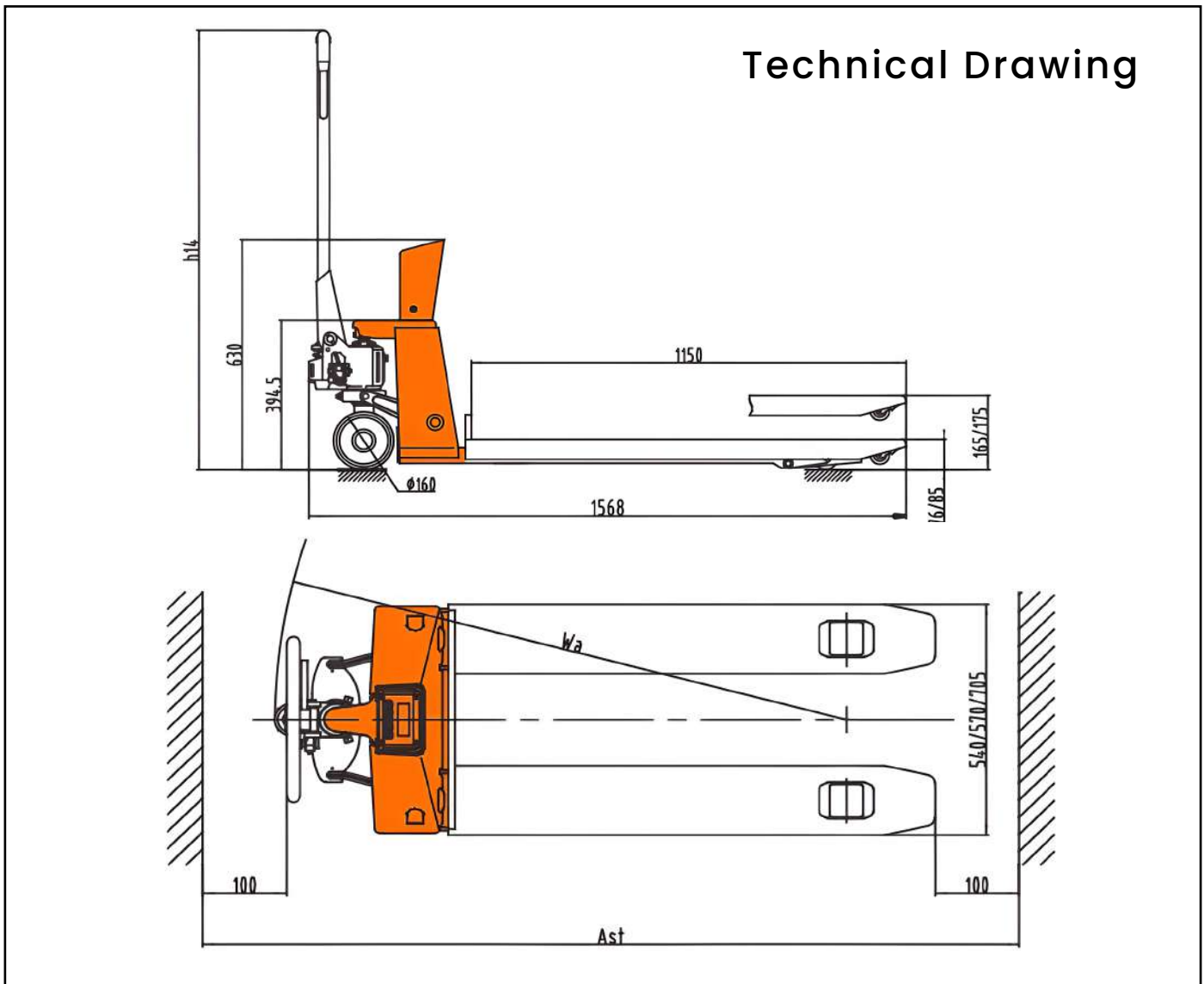
Revolutionize the way you handle loads and measurements, step into the future of logistics with our Scale Pallet Truck collection.





- The instrument operation interface is concise and easy to operate.
- The display screen is 6-digit LCD display, and the screen is inclined forward, which is convenient for the operator to read the value.
- The maximum error value of the instrument is 0.1%, and the weighing accuracy is 0.5kg.
- Five functional buttons, easy and simple to operate.
- It can switch the weighing unit (kg/lb) with one key, which is convenient for use in different markets requirements.
- The instrument power supply adopts 4.8V/4AH lithium battery, which can be used continuously for more than 60 hours, stand-by for up to 300 hours, and charging only takes 5 hours.
- The instrument screen is equipped with backlight, which will automatically light up when the weight changes, which is convenient for the operator to check; after the weight is stable, the backlight will automatically turn off for saving energy.
- The back of the instrument is totally enclosed, and the harness connection adopts aviation connector / RS232 connector, which improves the overall protection performance of the instrument.
- The whole instrument is protected by iron plate, which prevents the instrument from bumping and damage during operation.
- Optional thermal printer, with no need to change the color band.

MODEL		PKC6-7E / PKC6-8E
Capacity	(kg)	2000
Lowered fork height	(mm)	76/85
Total lift height	(mm)	165/175
Fork Length	(mm)	1150
Width fork overall	(mm)	540/570/705
Steering wheel	(mm)	Ø160
Fork Wheel	(mm)	Ø70
Power		4.8V/4Ah Li-lion battery
Max. deviation (weight)	(kg)	0.5
Max. deviation (rate)	(%)	±0.1%
Turning radius	(mm)	1368
Service weight	(kg)	115-130



INDOTARA®

PT. INDOTARA PERSADA

Our Marketing Office and After Sales Service Center

Head Office

50/F, Menara BCA Grand Indonesia
Jl. M.H. Thamrin No.1
Jakarta Pusat 10310

021 - 5011 2224

dhe@indotara.id



Semarang Office

Wisma HSBC Lt. 6 Suite 609
Jl. Gajah Mada No.135
Semarang, Jawa Tengah 50134

024 - 40 300 889

smg.dhe@indotara.id



Marketing Office

APL Tower 6th Floor No. 6 Central Park,
Jl. Letjen S. Parman Kav 28,
Jakarta Barat - 11440

021 - 5011 2224

dhe@indotara.id



Medan Office

Sutomo Tower Lantai 5H
Jl. Sutomo Ujung No.28,
Kota Medan, Sumatera Utara 20235

061 - 50 300 592

mdn.dhe@indotara.id



Graha Indotara

Millenium Industrial Estate
Jl. Millenium 22 Blok R3 No. 1
Cikupa, Tangerang - Banten 15720

021 - 5011 2224

dhe@indotara.id



Makassar Office

Fajar Graha Pena Lt. 5
Jl. Urip Sumoharjo No. 20,
Makassar - South Sulawesi 90234

021 - 5011 2224

mks.dhe@indotara.id



Bandung Office

Wisma HSBC Lt. 6 Suite B
Jl. Asia Afrika No. 116
Bandung, Jawa Barat 40112

021 - 5011 2224

bdg.dhe@indotara.id



Balikpapan Office

Panin Tower Lt. 8 - Grand Sudirman
Jl. Jendral Sudirman No.7 Klandasan Ilir,
Balikpapan Kota, Kalimantan Timur 76114

021 - 5011 2224

bpp.dhe@indotara.id



Surabaya Office

Japfa Indoland Center, Tower I Lt. 10/1008
Jl. Jendral Basuki Rahmat 129-137
Surabaya 60271

031 - 3360 1485

sby.dhe@indotara.id



Bali Office

Benoa Square Lt. 2
Jl. Bypass Ngurah Rai No. 21 A Kedonganan,
Kuta Badung - Bali Indonesia 80361

021 - 5011 2224

bali.dhe@indotara.id



Yogyakarta Office

Hartono Mall Yogyakarta Lt. 3
Kaliwaru, Condongcatur,
Sleman, Yogyakarta 55281

021 - 5011 2224

yog.dhe@indotara.id



Singapore Office

Marina Bay Financial Centre Tower 3
17F, 12 Marina Boulevard
Singapore - 018982

021 - 5011 2224

sing.dhe@indotara.id

